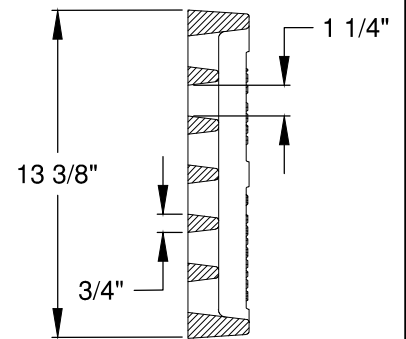
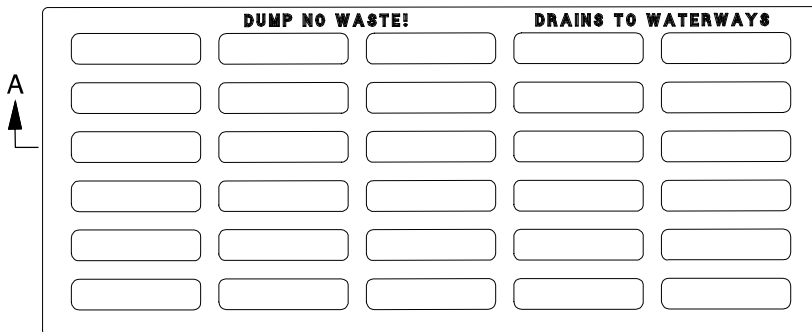
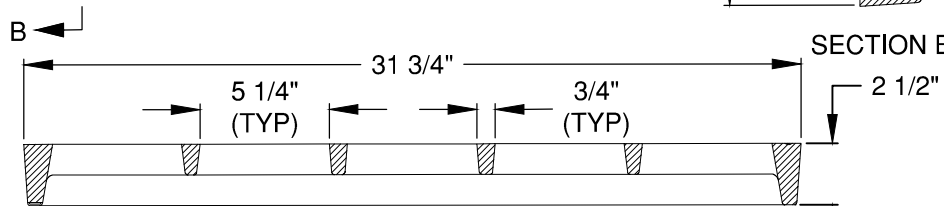


SECTION C-C

STEEL FRAME



SECTION B-B



SECTION A-A

DUCTILE IRON GRATE

DRAWN AJD
 DIV STORM
 REV DATE



CITY OF BEND

CITY OF BEND

STANDARD DRAWING

710 NW WALL ST., BEND, OREGON 97701

STORMWATER GRATE

SCALE NTS

DATE 01/31/2022

APPR

STD DWG STRM-13A