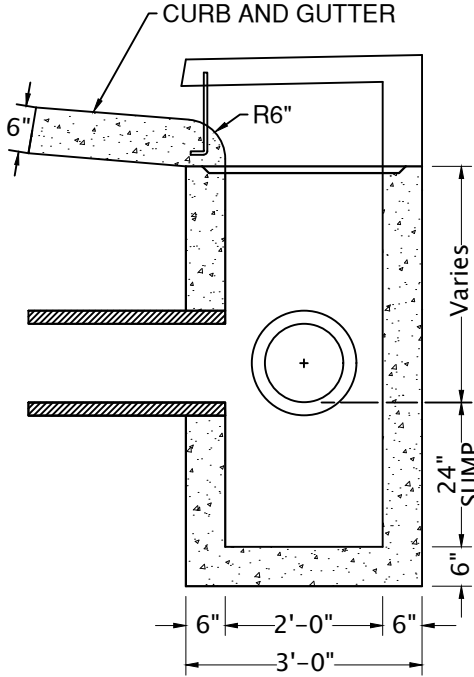


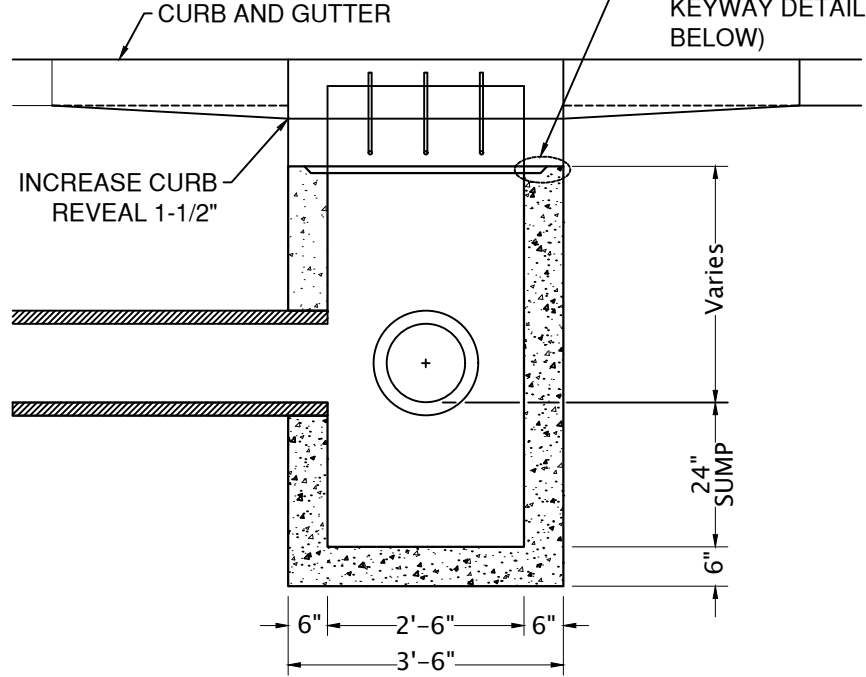
#3 BARS, PROJECT 18" INTO CONCRETE GUTTER PAN (BEND TO MATCH GUTTER PAN. SEE SECTION B-B)

**PLAN VIEW**

WET SET RISER INTO GROUT PER SECTION 00470.42 (SEE KEYWAY DETAIL BELOW)



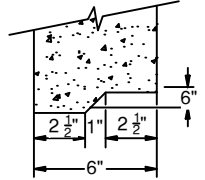
**SECTION B - B**



**SECTION A - A**

**NOTES:**

1. REMOVE SUFFICIENT CURB TO POUR BACK WALL. TOP SECTION MAY BE POURED MONOLITHIC WITH SIDEWALK.
2. CURB INLETS TO BE USED ON ARTERIAL AND COLLECTOR ROADWAYS.
3. "E" = CURB EXPOSURE.
4. SEE COB STD DWG STRM-8 FOR CAST IRON MANHOLE ADJUSTMENT RING AND COVER.
5. ALL PIPE CONNECTIONS TO BE GROUTED PER SPECIFICATION SECTION 00470.40.



**KEYWAY DETAIL**

DRAWN AJD	
DIV STORM	
REV	DATE



**CITY OF BEND**  
STANDARD DRAWING  
710 NW WALL ST., BEND, OREGON 97701

**STANDARD CURB INLET**

SCALE NTS
DATE 11/01/2024
APPR
STD DWG STRM-9