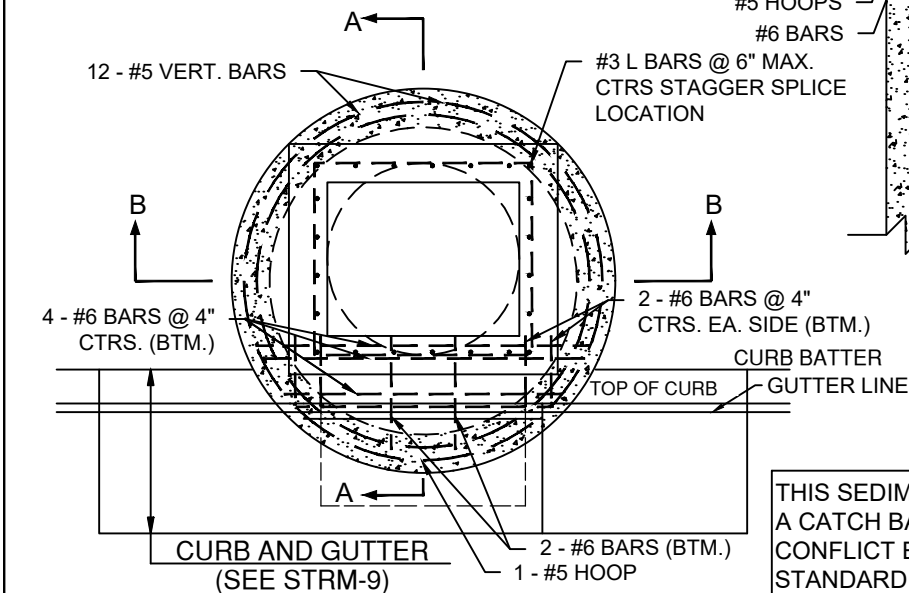


SECTION B-B

NTS



SECTION A-A

NTS

THIS SEDIMENTATION MANHOLE OPTION IS USED WHEN A CATCH BASIN OR INLET ARE PROPOSED AND A CONFLICT EXISTS PREVENTING INSTALLATION OF THE STANDARD SEDIMENTATION MANHOLE (STRM-7).

NOTES:

1. ALL REINFORCEMENT TO BE PLACED A MINIMUM OF 2" CLEAR OF NEAREST FACE OF CONCRETE UNLESS OTHERWISE SHOWN OR NOTED.
2. ALL PRECAST PRODUCTS SHALL CONFORM TO THE REQUIREMENTS OF ASTM C478.
3. ALL CONCRETE SHALL BE COMMERCIAL GRADE CONCRETE.
4. INLET TOP MAY BE CAST-IN-PLACE OR PRECAST. ALL PRECAST INLETS SHALL CONFORM TO REQUIREMENTS OF ASTM C913.
5. VARY ANCHOR BOLT LENGTH AND REINFORCING BAR PLACEMENT AS REQUIRED BY CURB EXPOSURE E.
6. SEE COB STD DWG R-3 FOR CURB DETAILS.
7. SEE ODOT STD DWG RD356 FOR MANHOLE ADJUSTMENT RING. SEE COB STD DWG STRM-8 FOR CAST IRON MANHOLE ADJUSTMENT RING AND COVER.
8. SUMP SIZE TO BE DESIGNED IN ACCORDANCE WITH COSM - 20 CF OF SUMP VOLUME FOR EACH 1.0 CFS DESIGN FLOW - NOT LESS THAN 48" DEPTH.

DRAWN AJD	
DIV STORM	
REV	DATE



CITY OF BEND
 STANDARD DRAWING
 710 NW WALL ST., BEND, OREGON 97701

STORMWATER SEDIMENTATION MANHOLE - ALTERNATE

SCALE NTS
DATE 11/01/2024
APPR
STD DWG STRM-7A